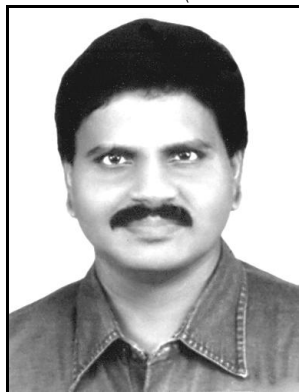


COMING SOON!...*(A New theory on “j-66 human”)*

M.Arulmani, B.E.
(Engineer)



V.R.Hema Latha, M.A., M.Sc.,
M.Phil.
(Biologist)

ABSTRACT: This scientific research article focus that “**COMING SOON**” shall be considered as the **TRANSITION** to New Technology and **NEW LIFE** by overcoming present day **global warming** and to **ADOPT** new conducive environment to face the **FUTURE CHALLENGES** and forecasting **PEACE**. The **j-66 human** shall be considered as origin of new **SUPERHUMAN** due to impact of growth of new environmental radiation called “**j⁺-Radiation**” in the expanding universe. The j-66 human populations shall be considered as genetically varied “**Fourth generation**” populations having high level potent called as **virgin population** or **juvenile population**.

Further the ‘**j-66**’ populations shall be considered as having birth of additional blood type say ‘**j-type**’ and could live and promote as a **joint family** without any discrimination of ‘**caste**’ ‘**religion**’ ‘**race**’ and ‘**language**’ in the new Generation.

*“**Juvenile population** shall mean promoting **PEACE** rather than promoting regeneration and multiplex of population growth”*

- Author

Key Words:

- Philosophy of ‘**j-66 human**’?...
- Philosophy of ‘**j⁺-Radiation**’?...
- Philosophy of ‘**j-type blood**’?...
- Philosophy of ‘**jail**’?...

I. INTRODUCTION:

Scientists forecast that the present “**Earth Planet**” where we live experiencing consistent **increase in temperature** especially at **higher rate** in the past **100-200 years**. Further they speculate that there is a possibility of increased level of **ozone depletion** which may further melts the ice zone in the Arctic, Antarctic region and there may be chance of increase of “**mean sea level**” and possibility of more destruction and damage

to the living organisms on the earth. Because of global warming climatic issue global level advanced research is going on for examining the possibility of human inheritance in future in other planets such as **RED PLANET MARS, MOON.**

It is speculated that the present earth **shall not be damaged** for another **1000 years** and the present 'global warming' shall be **counter balanced** by birth of new radiation '**j⁺-radiation**' and '**j-66 human**' populations (Fourth generation populations)

This research article further speculates that the existence of all planets, statelier, asteroids, meteors shall be considered as responsible only for promoting **various environmental conditions** and they **shall not support** for existence and inheritance of future populations **except present earth planet and white mars (prehistoric life existence).**

This article further emphasize that the present earth planet is capable of supporting and subsistence of future populations also for another **1000 years** without any difficulty due to impact of growth of new radiation called '**j⁺-Radiation**'.

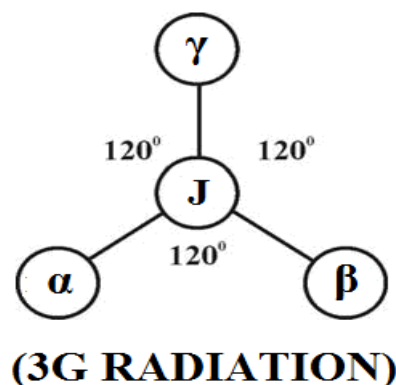
II. HYPOTHESIS AND NARRATION

a) Philosophy of Trisomy populations?...

It is hypothesized that **Trisomy** shall be considered as the prehistoric human ancestral populations lived in **WHITE MARS** (also called as white planet) responsible for '**MALE PREGNANCY**' and regenerations by **laying Egg** by **asexual means** due to impact of '**J-Radiation**' (Zero hour radiation) near white hole region which composed of **three-in-one** fundamental ions of **Photon, Electron, Proton** having definite charge, electronic, magnetic, optic properties exist under highly **endothermic environment under Zero gravity or Negligible gravity.**

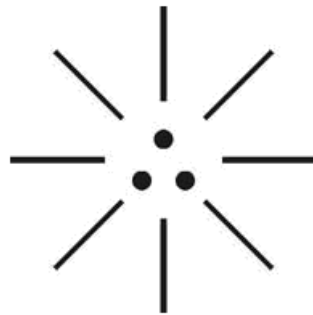


It is further focused that the philosophy of '**FEMALE PREGNANCY**' shall be considered as the new genetic characteristics inherited only on the **EARTH PLANET** when human population started living on Earth under varied growth of new radiations such as **γ -family radiation, β -family radiation, α - family radiation** in **three nuclear ages.**



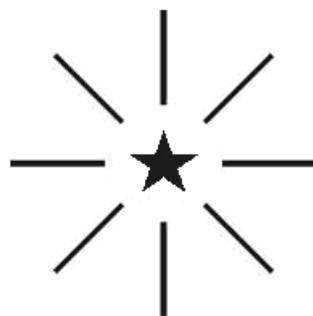
b) Philosophy of j⁺-Radiation?...

It is hypothesized that in the expanding universe γ , β , α families of radiation shall be considered as distinguish family of radiation emanated from “**J-Radiation**” in different nuclear age responsible for various HCNO based genetically varied atomic matters and responsible for various genetically varied species of human population having distinguished chromosome level of human in different nuclear age. The philosophy of **j⁺-Radiation** shall be considered as the new family of radiation say ‘**fourth generation family**’ having distinguished genetic feature of future population. The fourth generation radiation shall be considered having genetically varied charge, Electric, magnetic, optic properties, higher downward gravity compared to Three generation family radiations. It is further hypothesized that the fourth generation radiation shall be considered having ability to overcome the **current global warming issues** and provide pathway for better are conducive environment for **subsistence and sustainability** of human populations on the earth planet for another **1000 years**. The philosophy of distinguished characteristics of **J-Radiation, j⁺-Radiation** shall be hypothetically narrated as below.



**CREATION LOGIC
(Law of Early Universe)**

- i) **Right dot** – “**Proton**” (like **DNA** responsible for functional property)
- ii) **Left dot** – “**Electron**” (like **HORMONE** responsible for structural property)
- iii) **Centre dot** – “**Photon**” (like **RNA** responsible for sequence control property)



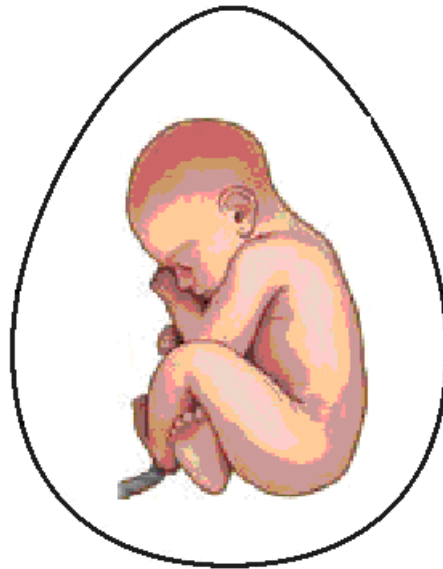
**MORNING STAR
(Law of 4th Generation)**

c) **Philosophy of ‘j-66 human’?...**

It is hypothesized that in the **expanding universe** the human population shall be considered having different “**Chromosome level**” having different genetic characteristics in **different age** as hypothetically described below. The j-66 human shall also be called as “**JANE DOE**”.

- e) **White Age** (Human origin) - **Trisomy**
- f) **Dark Age** (Plasma age) - **20**
- g) **γ -age** (1st generation) - **30**
- h) **β -age** (2nd generation) - **40**
- i) **α -age** (3rd generation) - **46**
- j) **j-66 human** (4th generation) - **66**

The philosophy of 'j-66 human' within "MOTHERS WOMB" due to impact of j⁺-radiation shall be described below.



NEW COVENANT (j-66 Human)

It is further hypothesized that the new j-66 human shall be considered as having genetically varied having 'Five chamber heart' due to growth of additional blood type 'j-type' due to impact of j⁺-radiation along with conventional four type A, B, AB, O already exist.



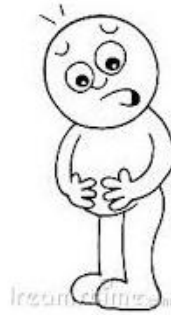
4th GENERATION (j-Type Blood)

"The mothers womb shall be considered as paradox and heaven. The Philosophy of English word JAIL might be derived from the proto Indo-Europe root CHEI-e ILLAM. CHEI-e shall mean INFANT; Illam shall mean paradox. The mothers womb shall alternatively mean Jail where the law of creation is developed"

- Author

III. CONCLUSION:

It is focused that there is "No Worry"... for the impact of present day global warming. The new generation radiation shall promote immunity against present day environment and global warming and promote pathway for consistent reduction in global population growth by impact of promoting 'NO PREGNANCY' by increased level of virgin and juvenile population in 4th Generation populations.



NO PREGNANCY!... (THANK GOD)

IV. PREVIOUS PUBLICATION:

The philosophy of origin of first life and human, the philosophy of model Cosmo Universe, the philosophy of fundamental neutrino particles have already been published in various international journals mentioned below. Hence this article shall be considered as **extended version** of the previous articles already published by the same author.

- [1] Cosmo Super Star – IJSRP, April issue, 2013
- [2] Super Scientist of Climate control – IJSER, May issue, 2013
- [3] AKKIE MARS CODE – IJSER, June issue, 2013
- [4] KARITHIRI (Dark flame) The Centromere of Cosmo Universe – IJIRD, May issue, 2013
- [5] MA-AYYAN of MARS – IJIRD, June issue, 2013
- [6] MARS TRIBE – IJSER, June issue, 2013
- [7] MARS MATHEMATICS – IJERD, June issue, 2013
- [8] MARS (EZHEM) The mother of All Planets – IJSER, June issue, 2013
- [9] The Mystery of Crop Circle – IJOART, May issue, 2013
- [10] Origin of First Language – IJIRD, June issue, 2013
- [11] MARS TRISOMY HUMAN – IJOART, June issue, 2013
- [12] MARS ANGEL – IJSTR, June issue, 2013
- [13] Three principles of Akkie Management (AJIBM, August issue, 2013)
- [14] Prehistoric Triphthong Alphabet (IJIRD, July issue, 2013)
- [15] Prehistoric Akkie Music (IJST, July issue, 2013)
- [16] Barack Obama is Tamil Based Indian? (IJSER, August issue, 2013)
- [17] Philosophy of MARS Radiation (IJSER, August 2013)
- [18] Etymology of word “J” (IJSER, September 2013)
- [19] NOAH is Dravidian? (IJOART, August 2013)
- [20] Philosophy of Dark Cell (Soul)? (IJSER, September 2013)
- [21] Darwin Sir is Wrong?! (IJSER, October issue, 2013)
- [22] Prehistoric Pyramids are RF Antenna?!... (IJSER, October issue, 2013)
- [23] HUMAN IS A ROAM FREE CELL PHONE?!... (IJIRD, September issue, 2013)
- [24] NEUTRINOS EXIST IN EARTH ATMOSPHERE?!... (IJERD, October issue, 2013)
- [25] EARLY UNIVERSE WAS HIGHLY FROZEN?!... (IJOART, October issue, 2013)

- [26] UNIVERSE IS LIKE SPACE SHIP?!... (AJER, October issue, 2013)
- [27] ANCIENT EGYPT IS DRAVIDA NAD?!... (IJSER, November issue, 2013)
- [28] ROSETTA STONE IS PREHISTORIC “THAMEE STONE” ?!... (IJSER, November issue, 2013)
- [29] The Supernatural “CNO” HUMAN?... (IJOART, December issue, 2013)
- [30] 3G HUMAN ANCESTOR?... (AJER, December issue, 2013)
- [31] 3G Evolution?... (IJIRD, December issue, 2013)
- [32] God Created Human?... (IJERD, December issue, 2013)
- [33] Prehistoric “J” – Element?... (IJSER, January issue, 2014)
- [34] 3G Mobile phone Induces Cancer?... (IJERD, December issue, 2013)
- [35] “J” Shall Mean “JOULE”?... (IRJES, December issue, 2013)
- [36] “J”- HOUSE IS A HEAVEN?... (IJIRD, January issue, 2014)
- [37] The Supersonic JET FLIGHT-2014?... (IJSER, January issue, 2014)
- [38] “J”-RADIATION IS MOTHER OF HYDROGEN?... (AJER, January issue, 2014)
- [39] PEACE BEGINS WITH “J”?... (IJERD, January issue, 2014)
- [40] THE VIRGIN LIGHT?... (IJCRAR, January issue 2014)
- [41] THE VEILED MOTHER?... (IJERD, January issue 2014)
- [42] GOD HAS NO LUNGS?... (IJERD, February issue 2014)
- [43] Matters are made of Light or Atom?!... (IJERD, February issue 2014)
- [44] THE NUCLEAR “MUKKULAM”?... (IJSER, February issue 2014)
- [45] WHITE REVOLUTION 2014-15?... (IJERD, February issue 2014)
- [46] STAR TWINKLES!?... (IJERD, March issue 2014)
- [47] “E-LANKA” THE TAMIL CONTINENT?... (IJERD, March issue 2014)
- [48] HELLO NAMESTE?... (IJSER, March issue 2014)
- [49] MOTHERHOOD MEANS DELIVERING CHILD?... (AJER, March issue 2014)
- [50] E-ACHI, IAS?... (AJER, March issue 2014)
- [51] THE ALTERNATIVE MEDICINE?... (AJER, April issue 2014)
- [52] GANJA IS ILLEGAL PLANT?... (IJERD, April issue 2014)
- [53] THE ENDOS?... (IJERD, April issue 2014)
- [54] THE “TRI-TRONIC” UNIVERSE?... (AJER, May issue 2014)
- [55] Varied Plasma Level have impact on “GENETIC VALUE”?... (AJER, May issue 2014)
- [56] JALLIKATTU IS DRAVIDIAN VETERAN SPORT?... (AJER, May issue 2014)
- [57] Human Equivalent of Cosmo?... (IJSER, May issue 2014)
- [58] THAI-e ETHIA!... (AJER, May issue 2014)
- [59] THE PHILOSOPHY OF “DALIT”?... (AJER, June issue 2014)
- [60] THE IMPACT OF HIGHER QUALIFICATION?... (AJER, June issue 2014)
- [61] THE CRYSTAL UNIVERSE?... (AJER July 2014 issue)
- [62] THE GLOBAL POLITICS?... (AJER July 2014 issue)
- [63] THE KACHCHA THEEVU?... (AJER July 2014 issue)

- [64] THE RADIANT MANAGER?... (AJER July 2014 issue)
 [65] THE UNIVERSAL LAMP?... (IJOART July 2014 issue)
 [66] THE MUSIC RAIN?... (IJERD July 2014 issue)
 [67] THIRI KURAL?... (AJER August 2014 issue)
 [68] THE SIXTH SENSE OF HUMAN?... (AJER August 2014 issue)
 [69] THEE... DARK BOMB?... (IJSER August 2014 issue)
 [70] RAKSHA BANDHAN CULTURE?... (IJERD August 2014 issue)
 [71] THE WHITE BLOOD ANCESTOR?... (AJER August 2014 issue)
 [72] THE PHILOSOPHY OF “ZERO HOUR”?... (IJERD August 2014 issue)
 [73] RAMAR PALAM?... (AJER September 2014 issue)
 [74] THE UNIVERSAL TERRORIST?... (AJER September 2014 issue)
 [75] THE “J-CLOCK”?... (AJER September 2014 issue)
 [76] “STUDENTS” AND “POLITICS”?... (EJAE September 2014 issue)
 [77] THE PREGNANT MAN?... (AJER September 2014 issue)
 [78] PERIAR IS ATHEIST?... (IJSER September 2014 issue)
 [79] A JOURNEY TO "WHITE PLANET"?... (AJER September 2014 issue)

REFERENCE

- [1] Intensive Internet “e-book” study through, Google search and wikipedia
 [2] M.Arulmani, “3G Akkanna Man”, Annai Publications, Cholapuram, 2011
 [3] M. Arulmani; V.R. Hemalatha, “Tamil the Law of Universe”, Annai Publications, Cholapuram, 2012
 [4] Harold Koontz, Heinz Weihriah, “Essentials of management”, Tata McGraw-Hill publications, 2005
 [5] M. Arulmani; V.R. Hemalatha, “First Music and First Music Alphabet”, Annai Publications, Cholapuram, 2012
 [6] King James Version, “Holy Bible”
 [7] S.A. Perumal, “Human Evolution History”
 [8] “English Dictionary”, Oxford Publications
 [9] Sho. Devaneyapavanar, “Tamil first mother language”, Chennai, 2009
 [10] Tamilannal, “Tholkoppiar”, Chennai, 2007
 [11] “Tamil to English Dictionary”, Suravin Publication, 2009
 [12] “Text Material for E5 to E6 upgradaton”, BSNL Publication, 2012
 [13] A. Nakkiran, “Dravidian mother”, Chennai, 2007
 [14] Dr. M. Karunanidhi, “Thirukkural Translation”, 2010
 [15] “Manorama Tell me why periodicals”, M.M. Publication Ltd., Kottayam, 2009
 [16] V.R. Hemalatha, “A Global level peace tourism to Veilankanni”, Annai Publications, Cholapuram, 2007
 [17] Prof. Ganapathi Pillai, “Sri Lankan Tamil History”, 2004
 [18] Dr. K.K. Pillai, “South Indian History”, 2006
 [19] M. Varadharajan, “Language History”, Chennai, 2009
 [20] Fr. Y.S. Yagoo, “Western Sun”, 2008
 [21] Gopal Chettiar, “Adi Dravidian Origin History”, 2004
 [22] M. Arulmani; V.R. Hemalatha, “Ezhem Nadu My Dream” - (2 Parts), Annai Publications, Cholapuram, 2010
 [23] M. Arulmani; V.R. Hemalatha, “The Super Scientist of Climate Control”, Annai Publications, Cholapuram, 2013, pp 1-3